

Mumby Manufacturing Ltd.

Ph: (306) 682-1477 Toll Free: 1-888-682-1477 Fax: (306) 682-2028


Email: mumbyhitches@sasktel.net Website: www.mumbyhitches.com

INSTALLATION INSTRUCTIONS

MUMBY REMOVABLE BALL GOOSENECK HITCH

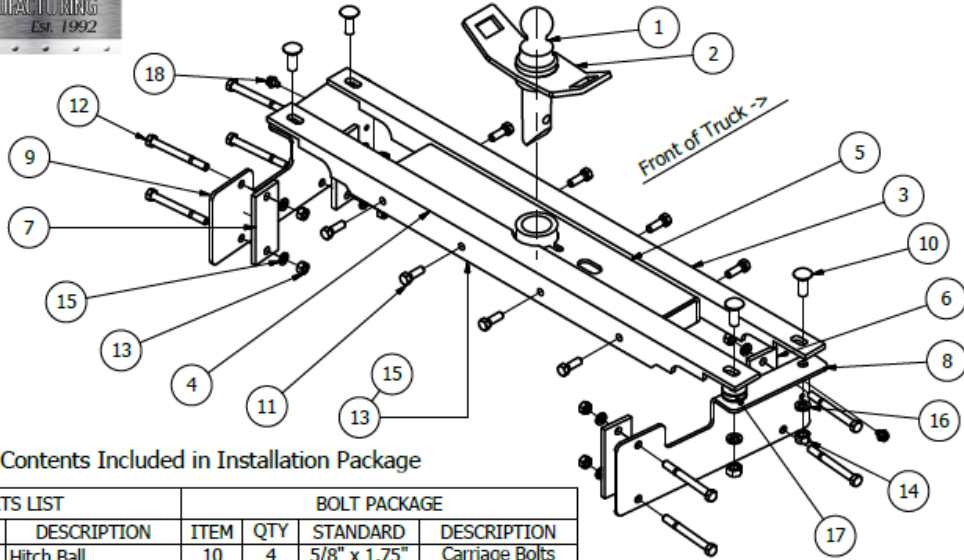
Model MUMT – 047471500

Fits GMC Model 1500 Trucks 2007 and Newer



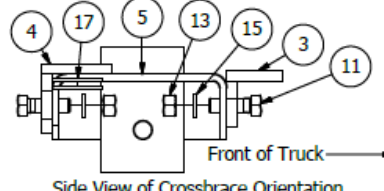
Mumby Manufacturing Ltd.
 MUMBY REMOVABLE BALL GOOSENECK HITCH
 MUM-047471500
 Fits Chev/GMC 1500 Trucks 2007 and newer

Installation Overview



Contents Included in Installation Package

PARTS LIST			BOLT PACKAGE			
ITEM	QTY	DESCRIPTION	ITEM	QTY	STANDARD	DESCRIPTION
1	1	Hitch Ball	10	4	5/8" x 1.75"	Carriage Bolts
2	1	Safety Chain Plate	11	8	1/2" x 1-1/2"	Hex Head Bolts
3	1	Front Crossbrace	12	8	1/2" x 5"	Hex Head Bolts
4	1	Rear Crossbrace	13	16	1/2"	Hex Nuts
5	1	Center Plate	14	4	5/8"	Hex Nuts
6	2	Front Backing Plate	15	16	1/2"	Lock Washers
7	2	Rear Backing Plate	16	4	5/8"	Lock Washers
8	1	Right Side Bracket	17	4	5/8"	Flat Washers
9	1	Left Side Bracket	18	2	3/8"	Self Tapping Bolts
			19	1	R-07	"O" Ring



1. Drill a 3-1/2" hole, centered between the wheel wells as follows:
 - 44" from rear of truck bed on short box trucks
 - 48-3/4" from rear of truck bed on long box trucks

2. Cut out a $\frac{3}{4}$ " high and 2" wide (bottom of box flange) on the passenger side of the truck approximately 6" ahead of box support brace to slide 2-1/2" angle iron cross members through.
3. Slide cross member with center circular receiver notch cut out (Rear cross member) through notch (Open angle will face towards front of truck) and move towards back of truck. Other cross member can now be slide in (Open angle facing front of truck, same orientation as rear cross member)



4. From underneath truck insert $\frac{1}{2}$ " bolt through front cross member on the driver's side. Then slide rubber O-ring over bolt as shown in picture below. Make sure O-ring is tight against cross member so the nut can be tightened properly.



5. Insert carriage bolts through end of each cross member and attach side plates.
6. Install cross members to center plate with $\frac{1}{2}$ " bolts and lock nuts. **Ensure locking pin release holes in center plate are orientated to passenger side.** (Do not tighten).
7. Attach side plates to cross members with $\frac{5}{8}$ " nylock nuts. (Do not tighten).
8. Place $\frac{3}{8}$ " plates on the inside of the frame and bolt across with the $\frac{1}{2}$ " X 5" bolts supplied. **BE SURE ALL LINES & WIRES ARE OUT OF THE WAY.**

9. Align the hitch assembly so that the ball receiver socket is in the 3-1/2" hole in the floor of the truck box and the top of the receiver is the same height as the bottom rib. Align the hitch so that it is square with the truck frame and tighten bolts around frame.
10. Drill a 5/16" hole through the outside wall of the truck frame through the 3/8" hole located in the front part of the side bracket (this must be done on each side of the truck). **DO NOT DRILL THROUGH THE INSIDE WALL OF THE FRAME.**
11. Tighten the 3/8" x 1 1/4" self tapping bolts through the hole of the bracket and into the 5/16" hole in the frame.
12. Tighten all bolts.
13. For proper maintenance, the ball **MUST** be removed regularly and the shank of the ball and the locking pin cleaned and lightly coated with a light lubricant. Periodic lubrication and cleaning of the ball shank is necessary for your removable ball hitch to keep performing properly.

Components in the MUM – 047471500

Center Box Part # 750

Mounting Box Part # 1500

Ph: (306) 682-1477 Toll Free: 1-888-682-1477 Fax: (306) 682-2028

Email: mumbyhitches@sasktel.net Website: www.mumbyhitches.com